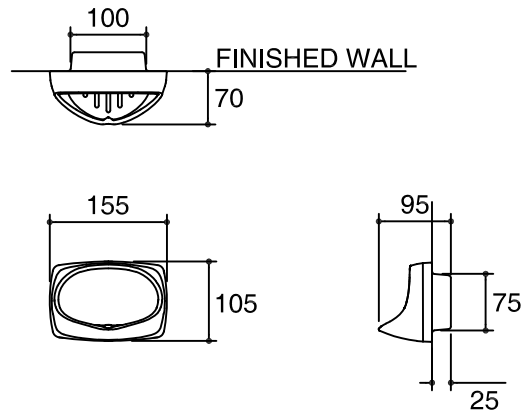


Dimensions are approximate.
Unit: mm.



SKU	K-18128X-WK
Name	STANDARD
Description	SOAP HOLDER

KARAT

* The recommended dimension for installation can be adjusted according to user preferences and layout.